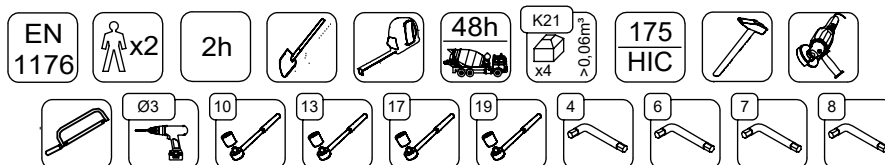
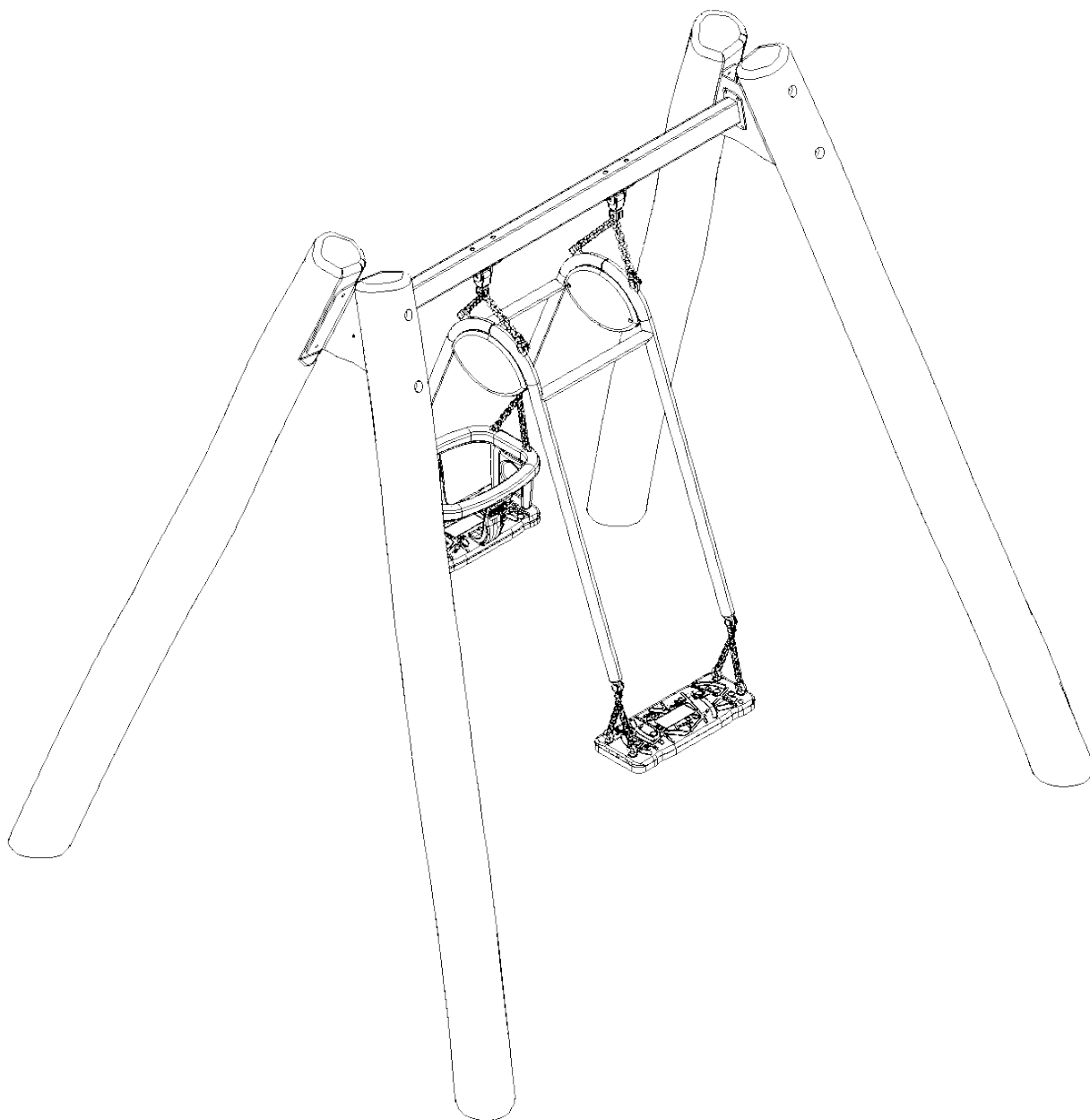
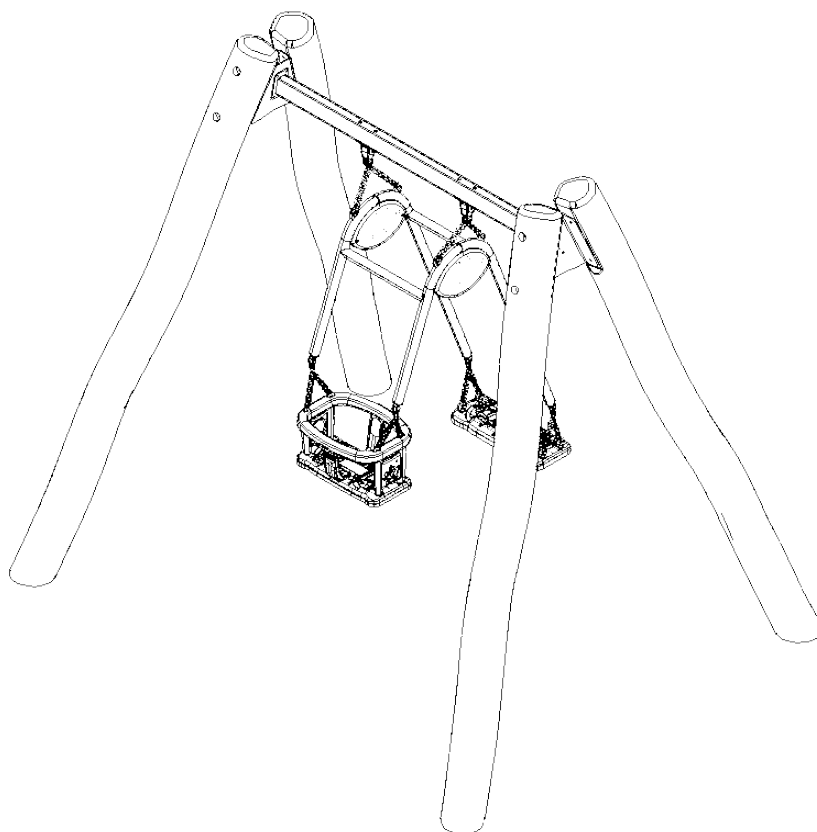
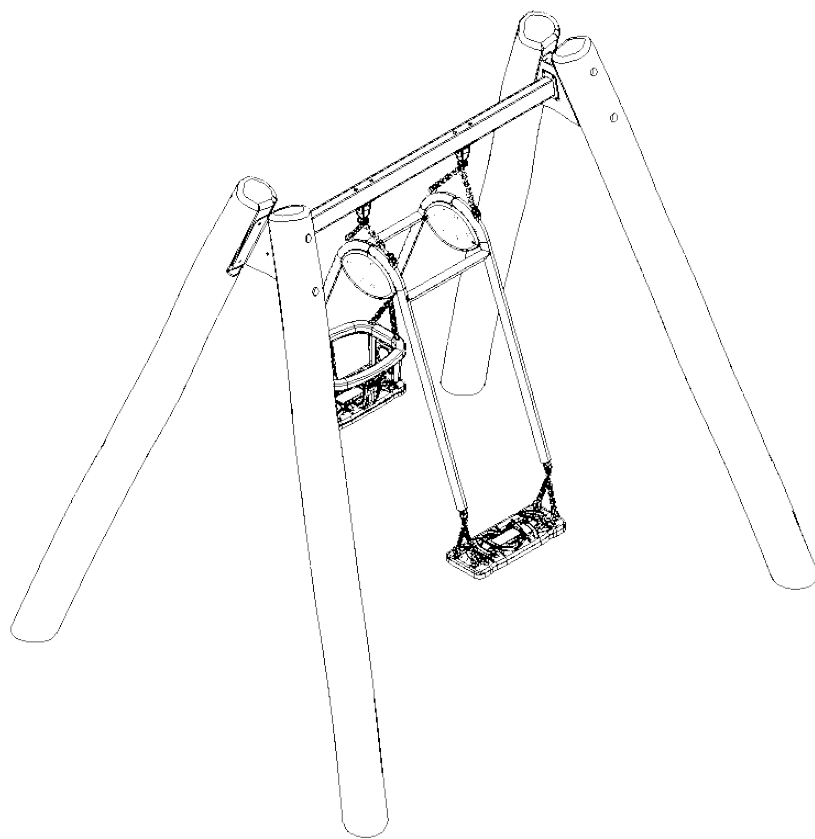


RB0520



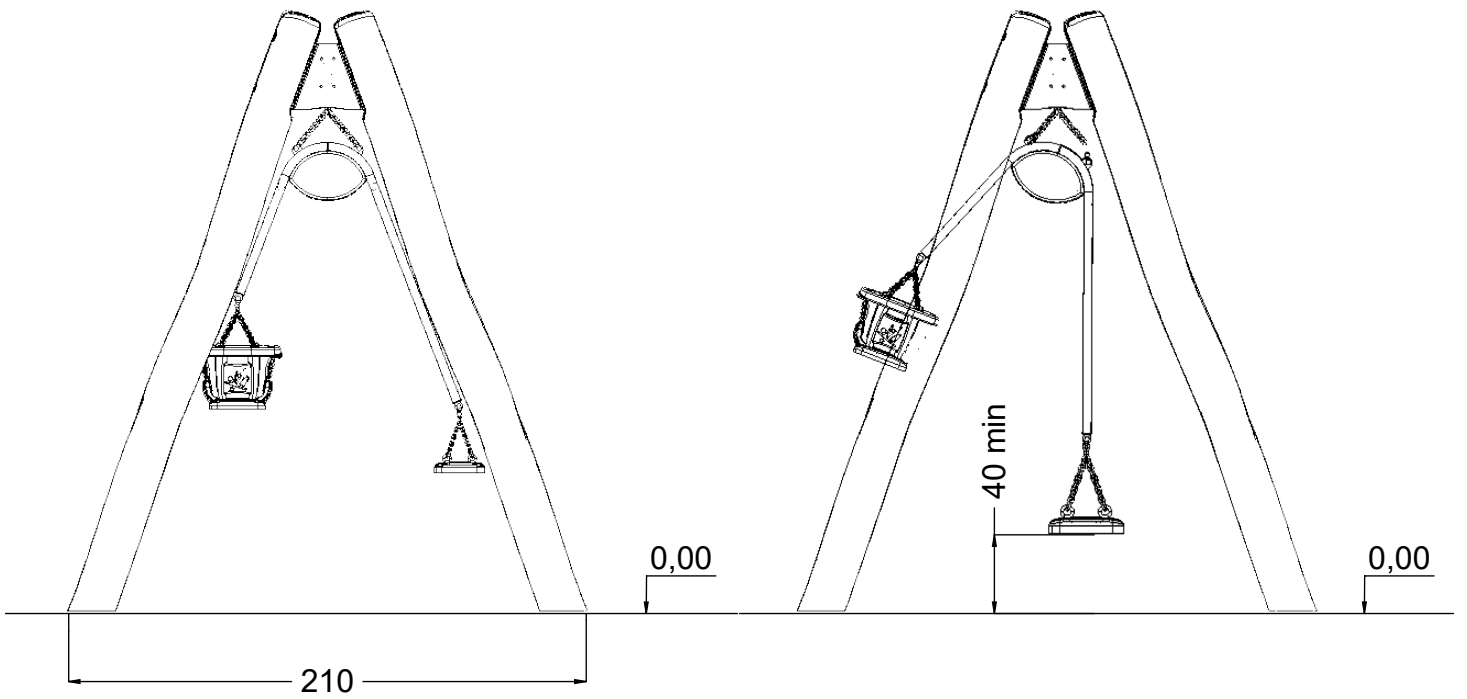
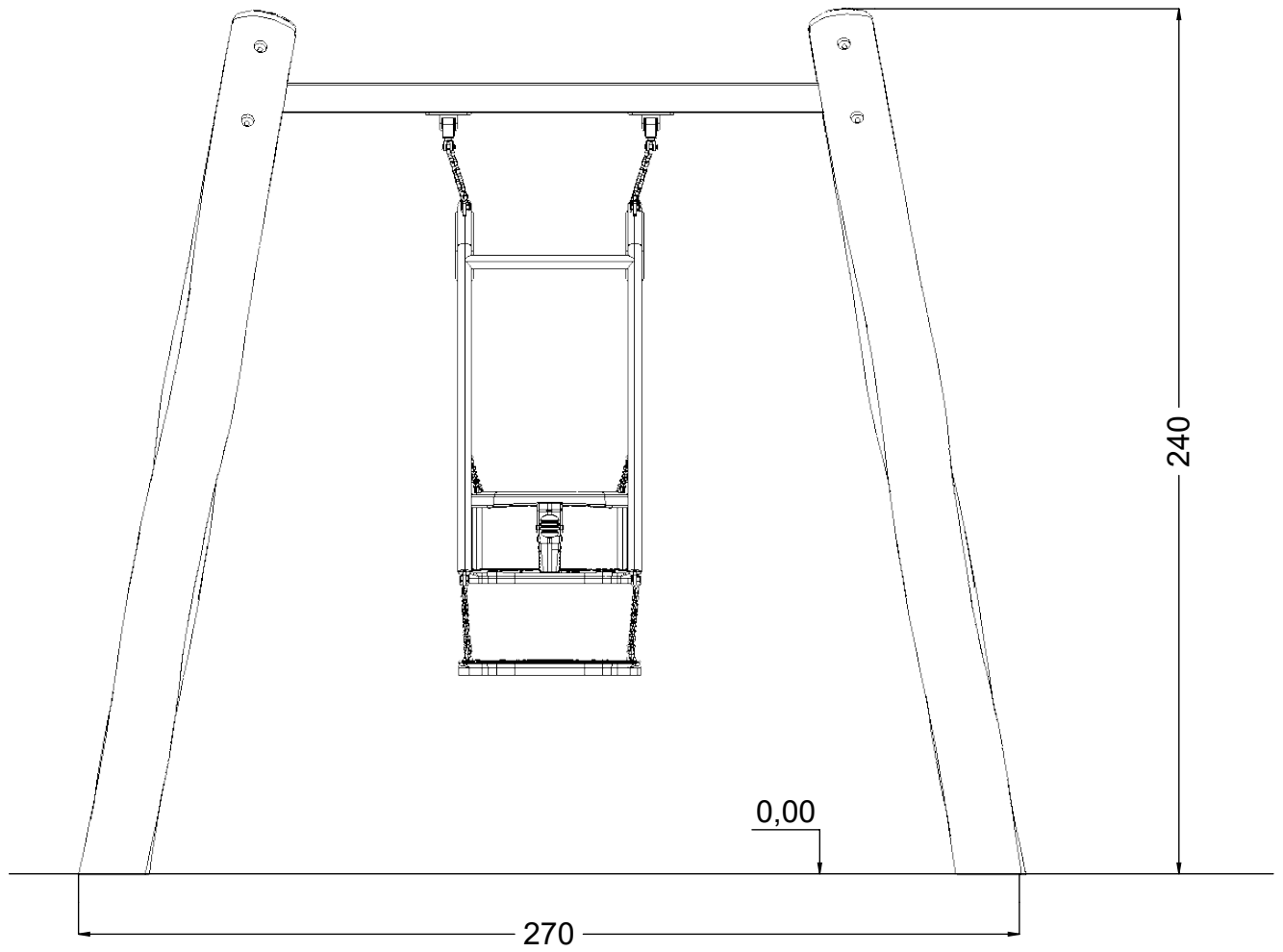
v010
24.02.2022
D. P.
[cm]

vinci
play



[cm]

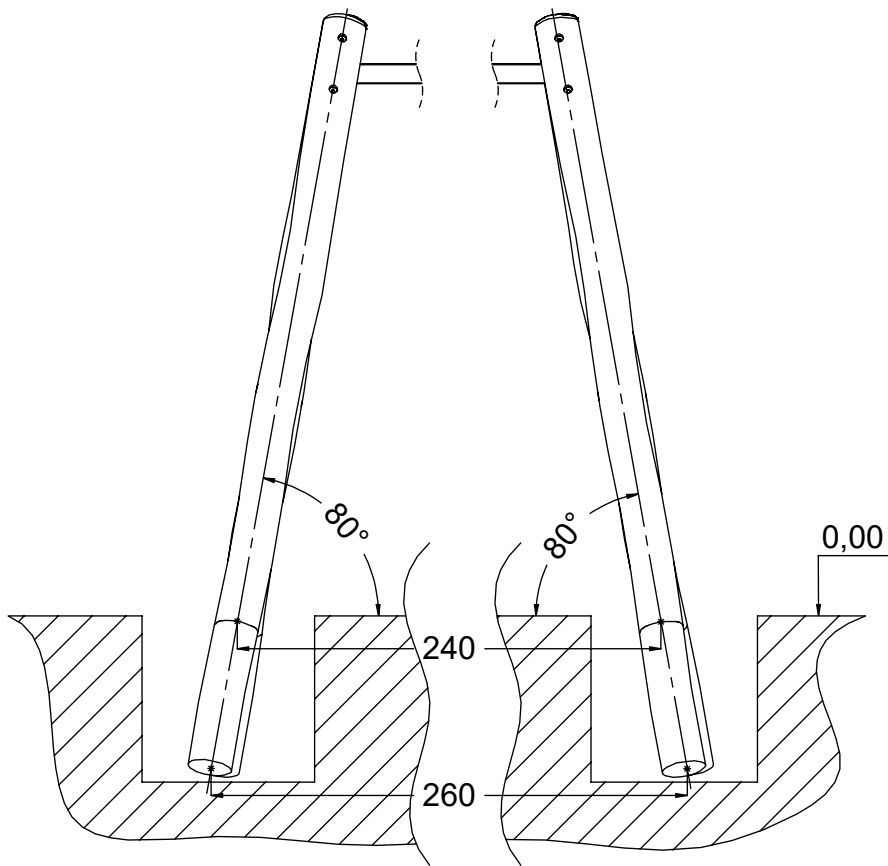
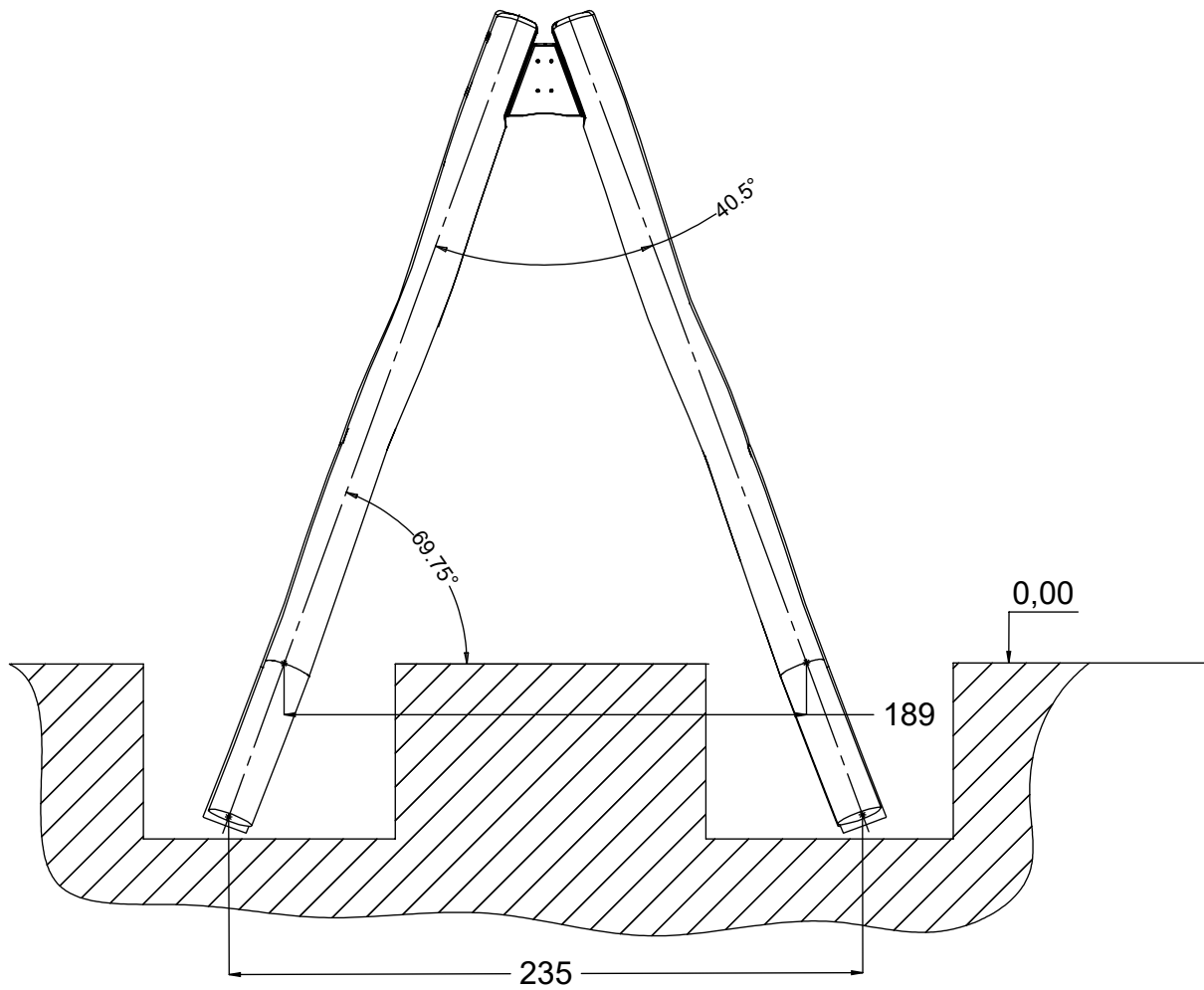
vinci
play



[cm]

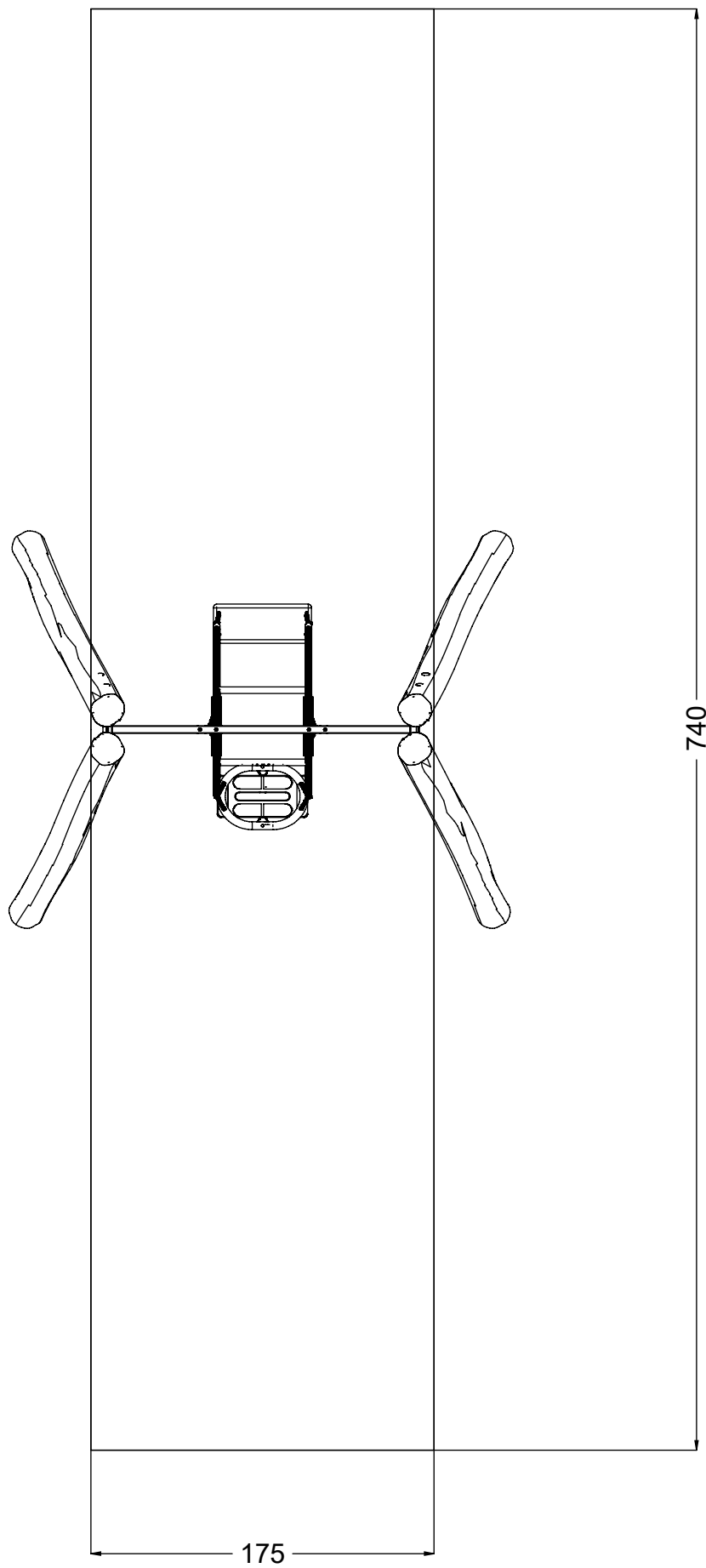


vinci
play



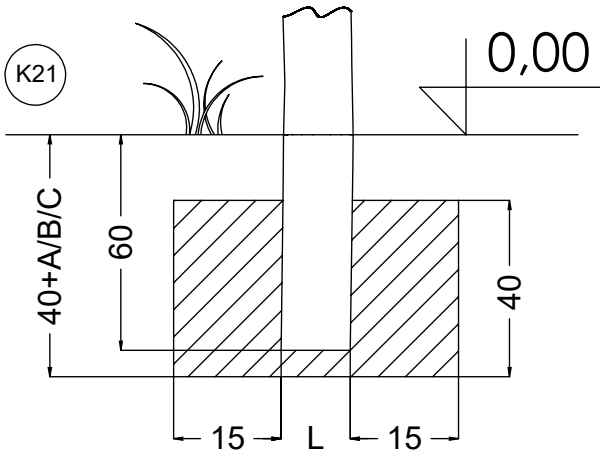
[cm]

vinci
play

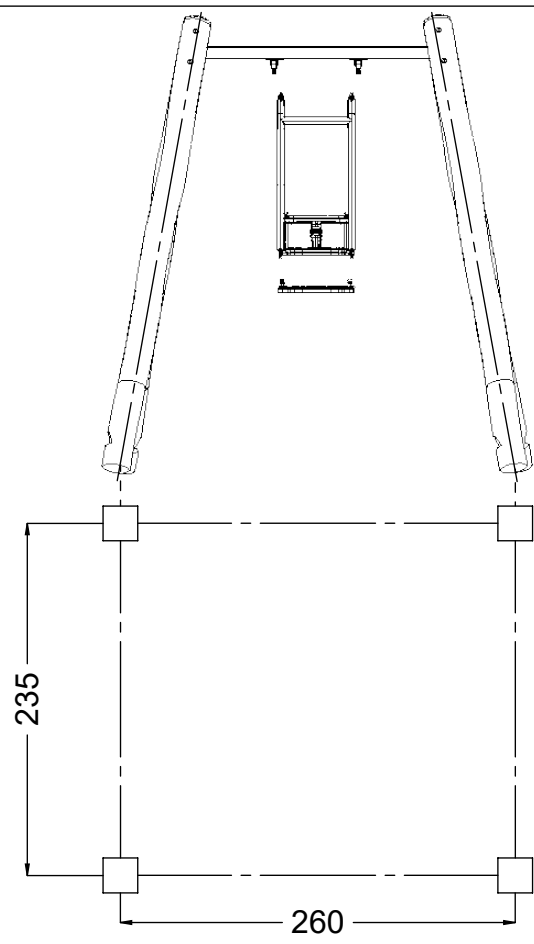
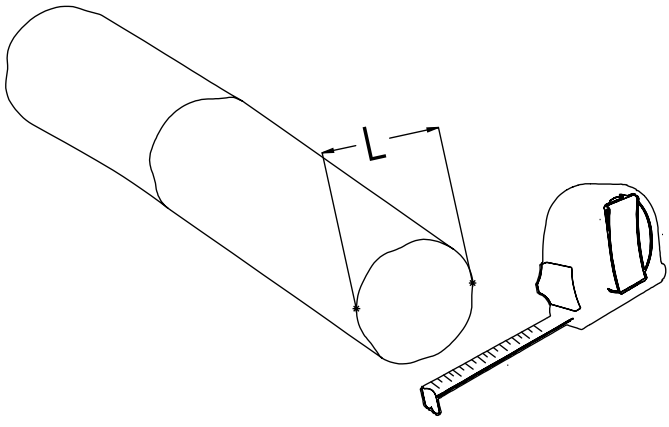
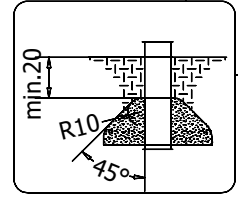
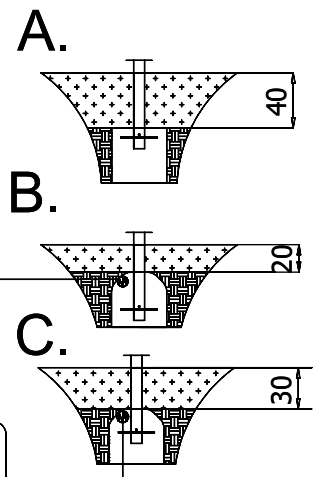


[cm]

vinci
play



48h

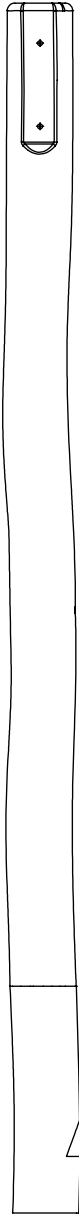


[cm]

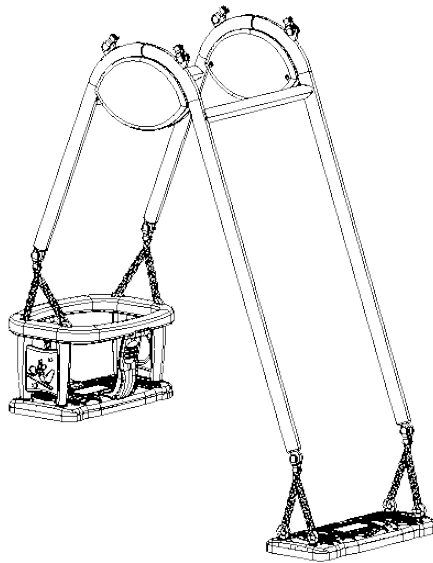
x2
 2h

 48h
 K21 x4 >0,06m³

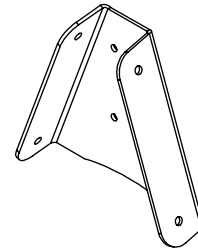
vinci
play



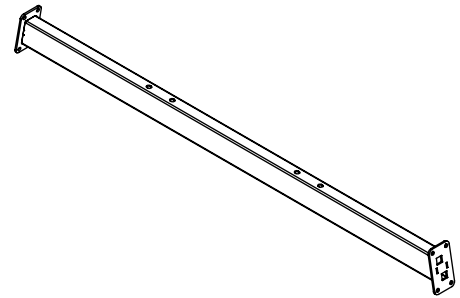
127116
x4



996226
x1

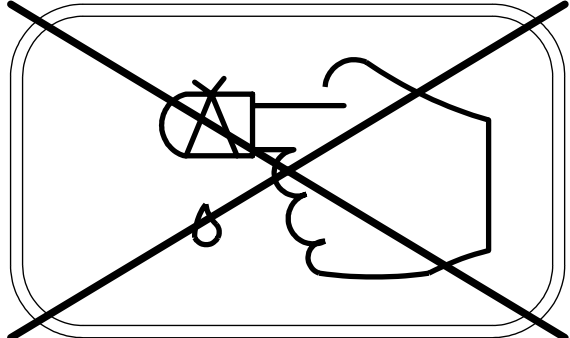
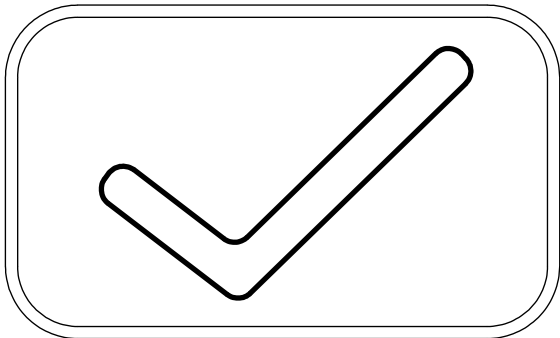
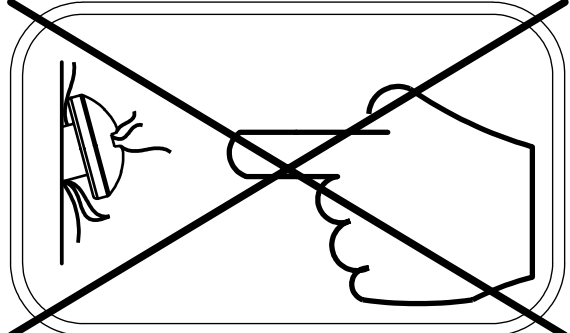
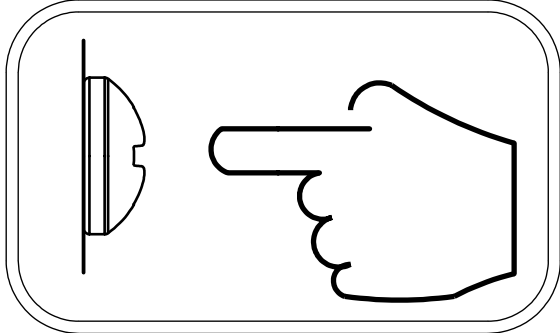
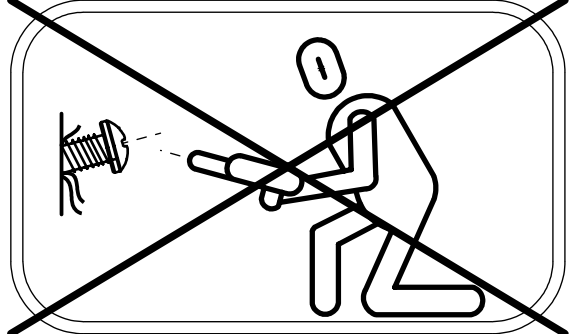
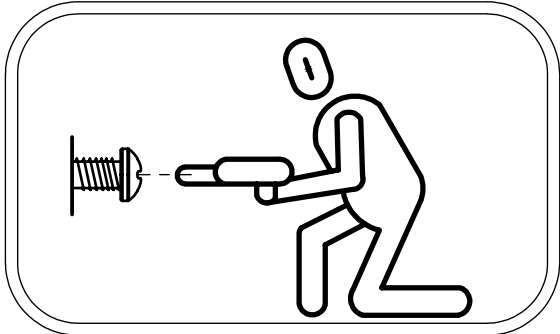


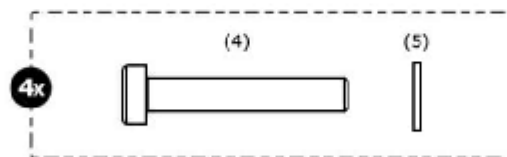
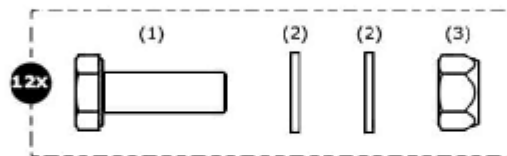
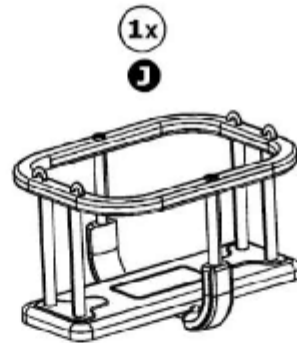
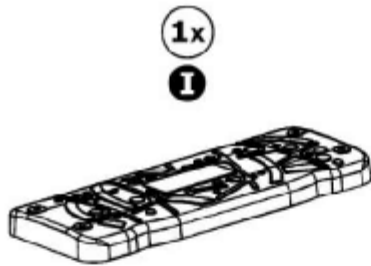
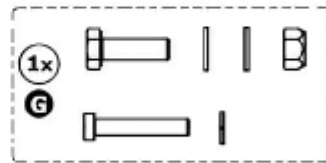
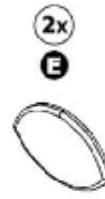
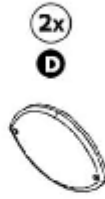
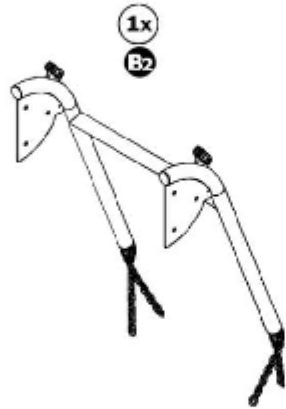
b66-5
x2

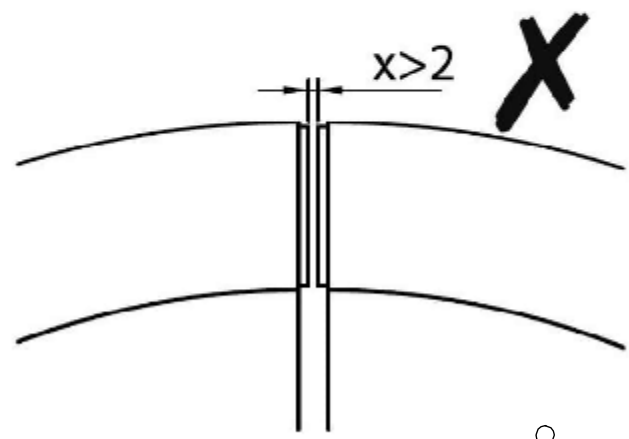
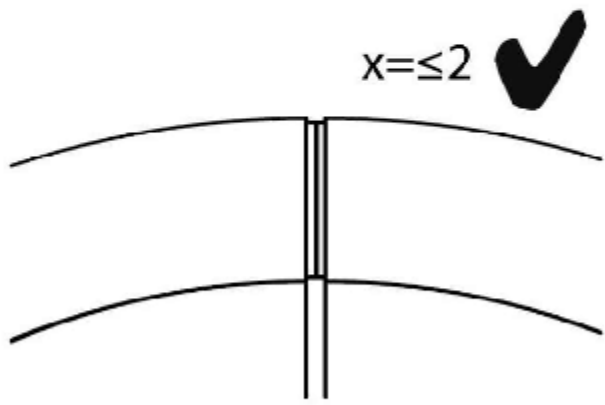
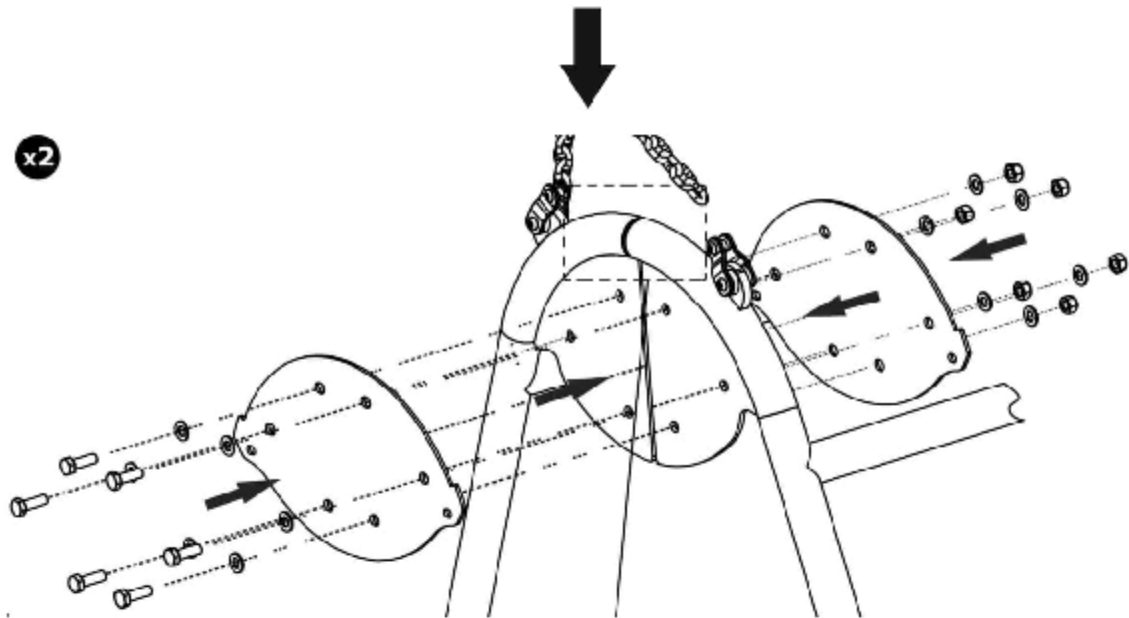
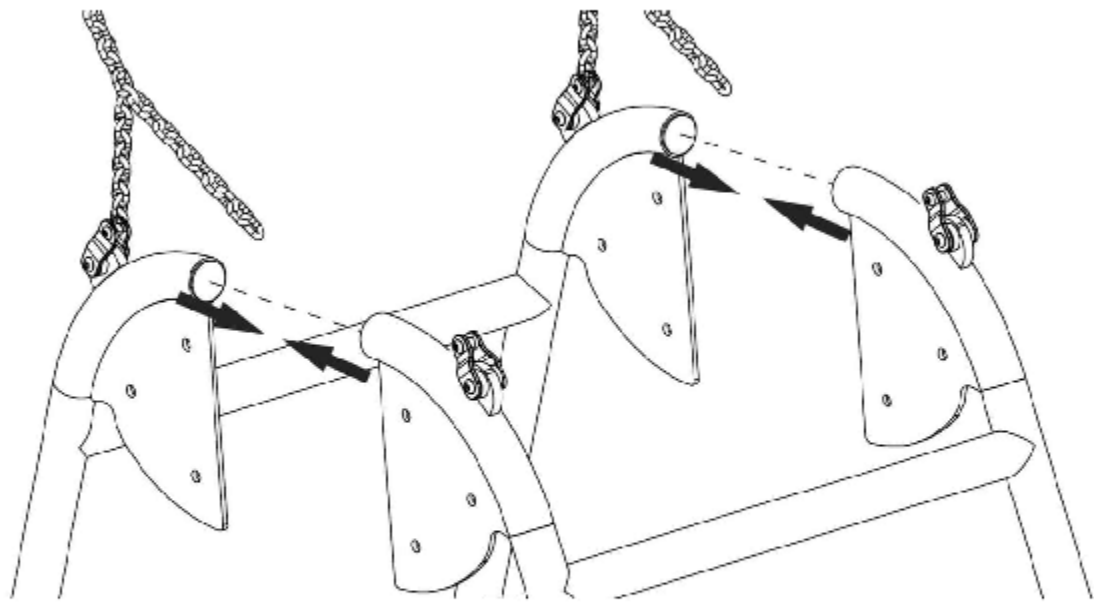


052127
x1

| | |
|----|--------|
| 1x | E60 |
| 1x | E194 |
| 2x | 12e017 |
| 1x | V001 |



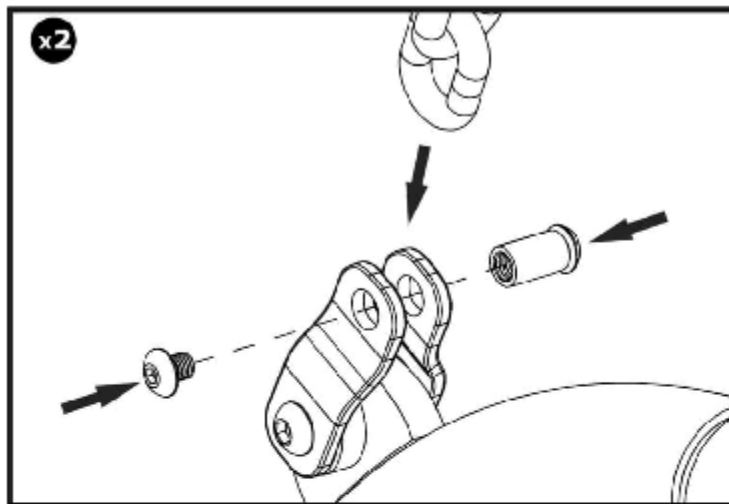
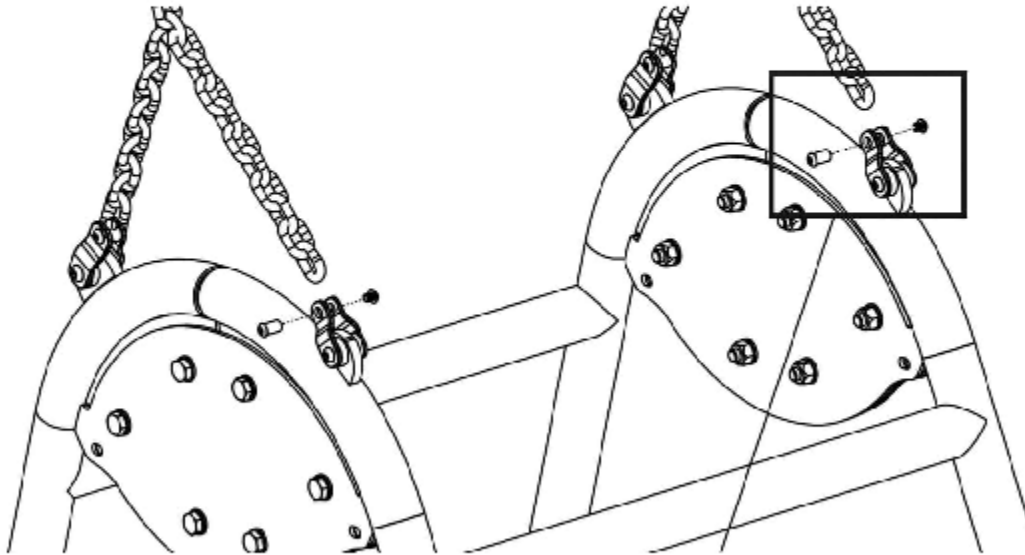




[cm]

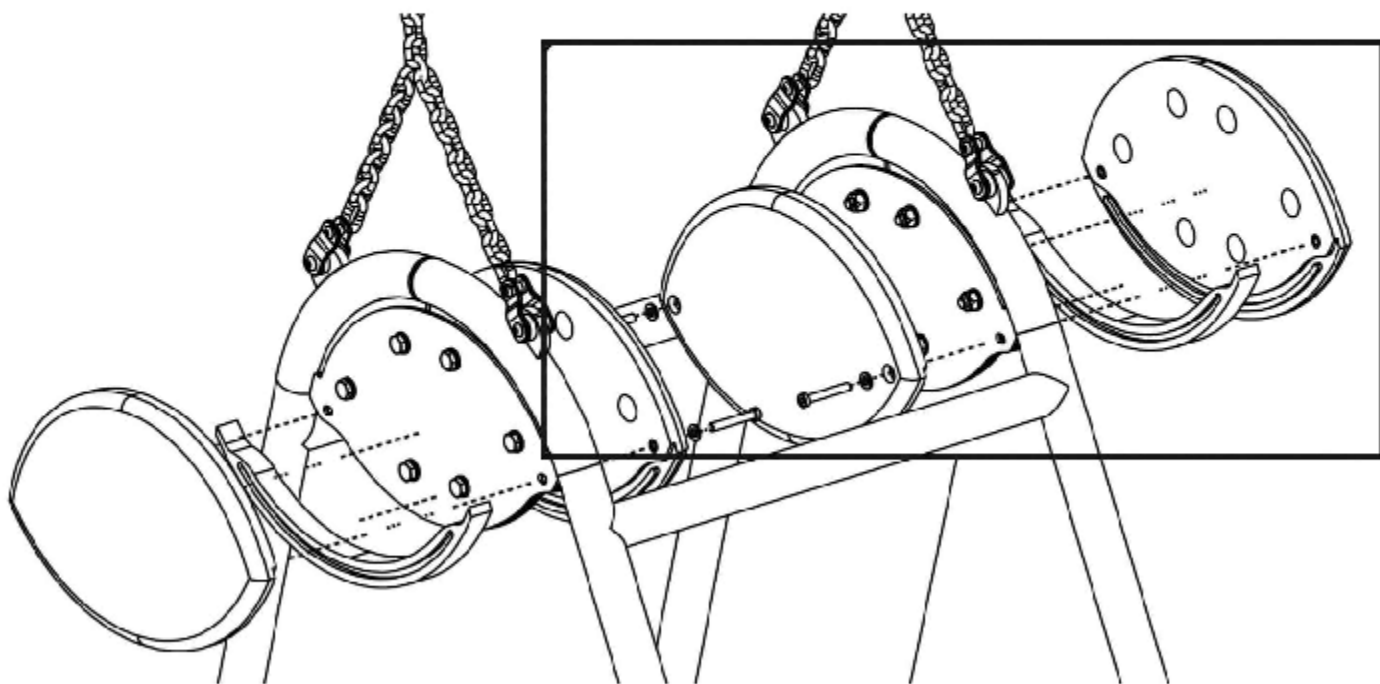
vinci
play

2 1xH

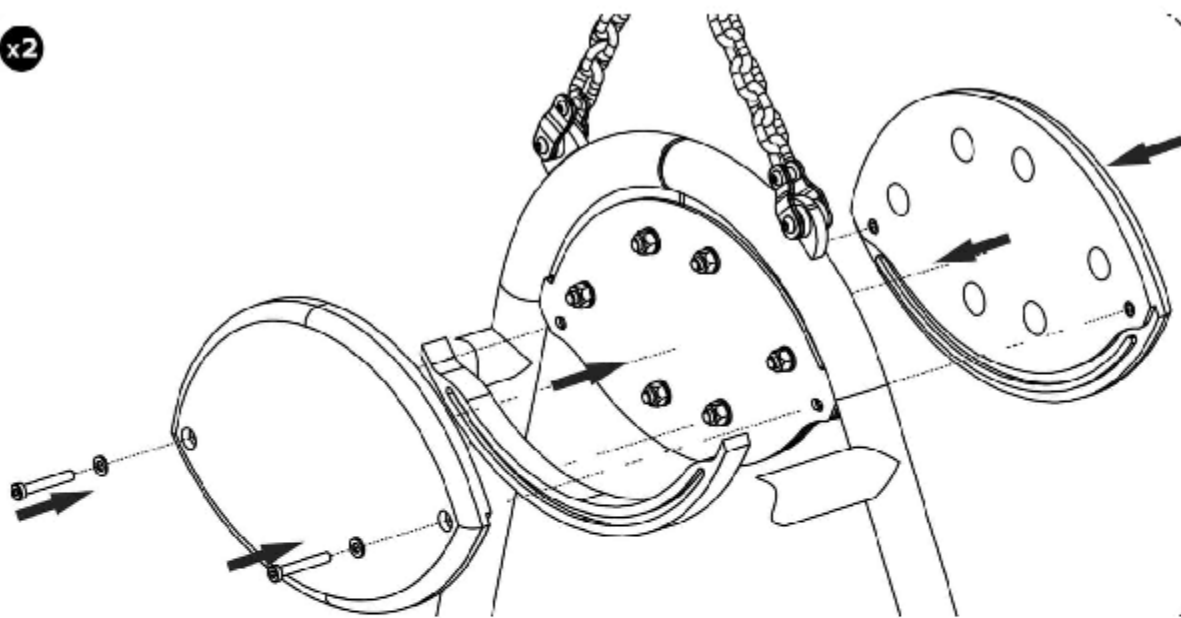


[cm]

vinci
play

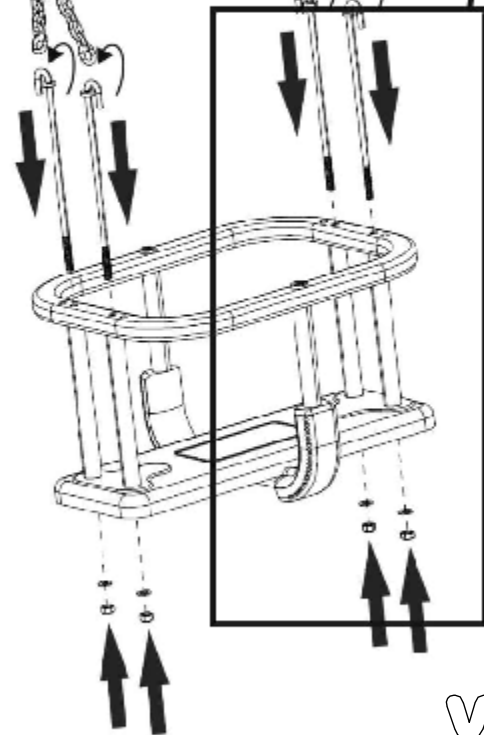
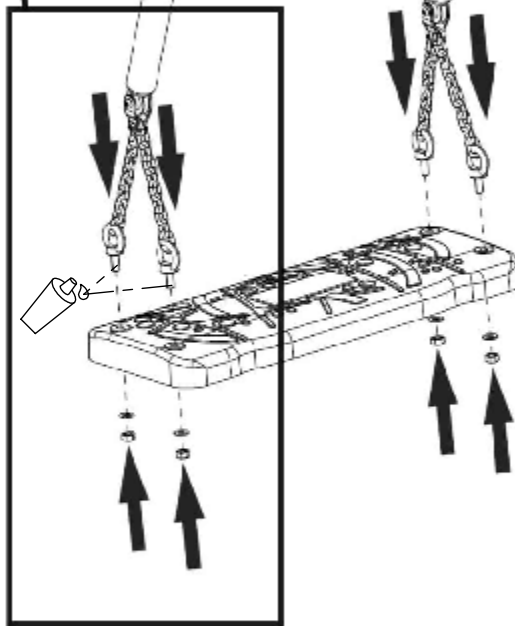
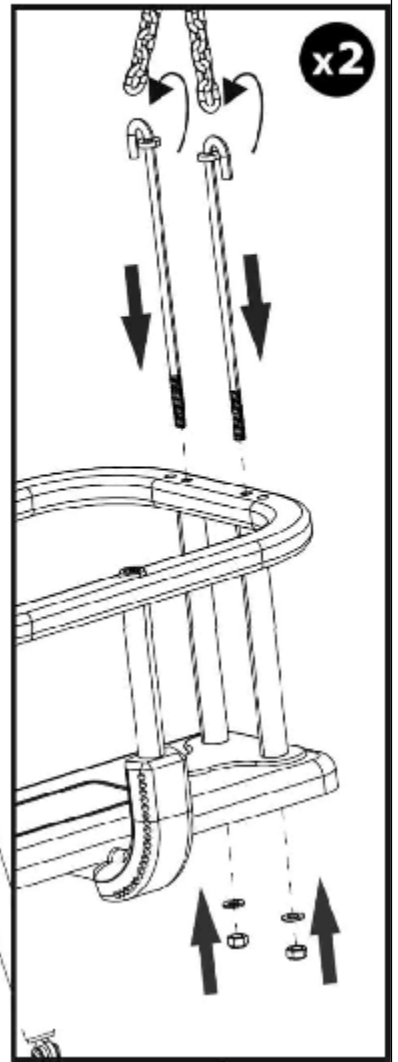
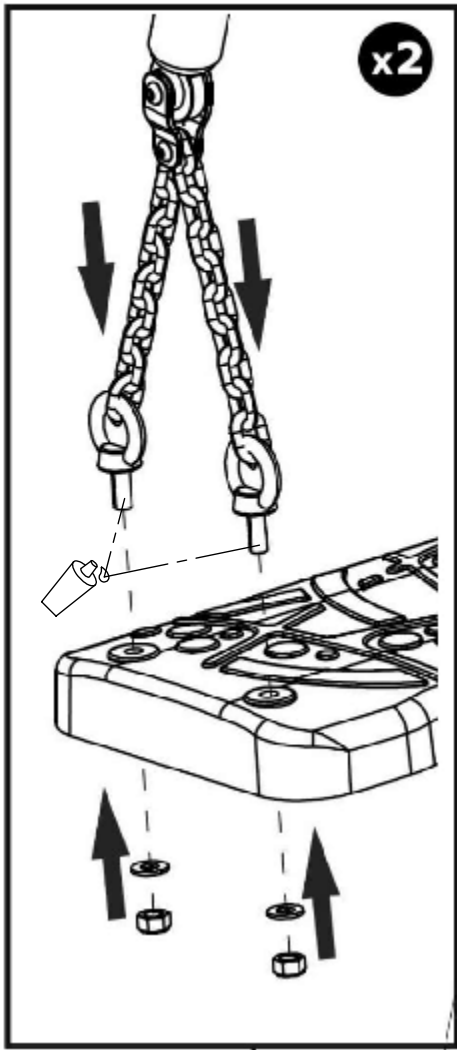


x2



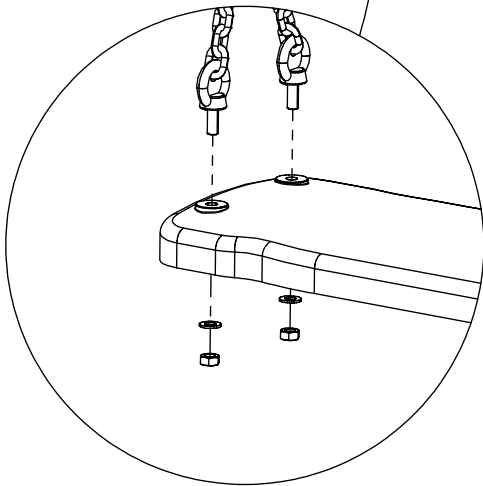
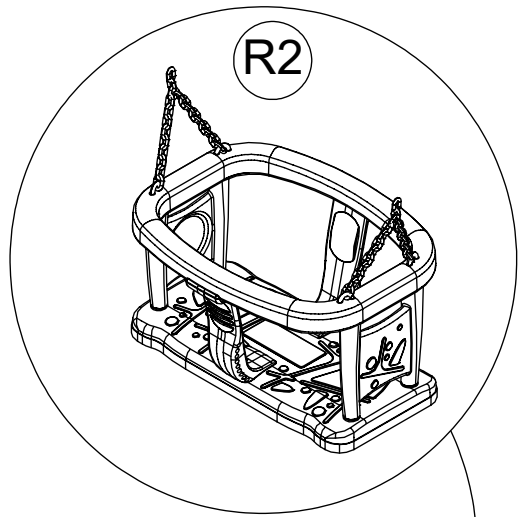
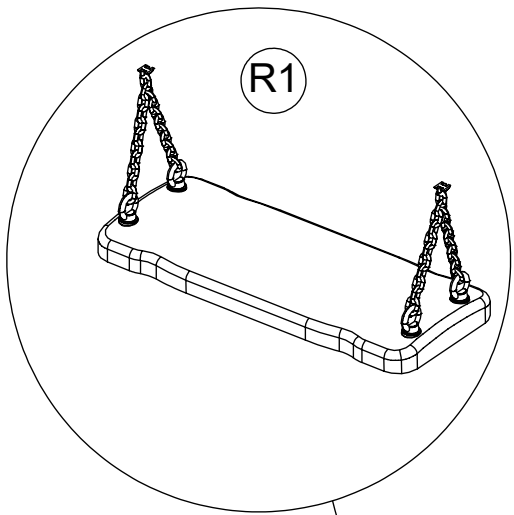
[cm]

vinci
play

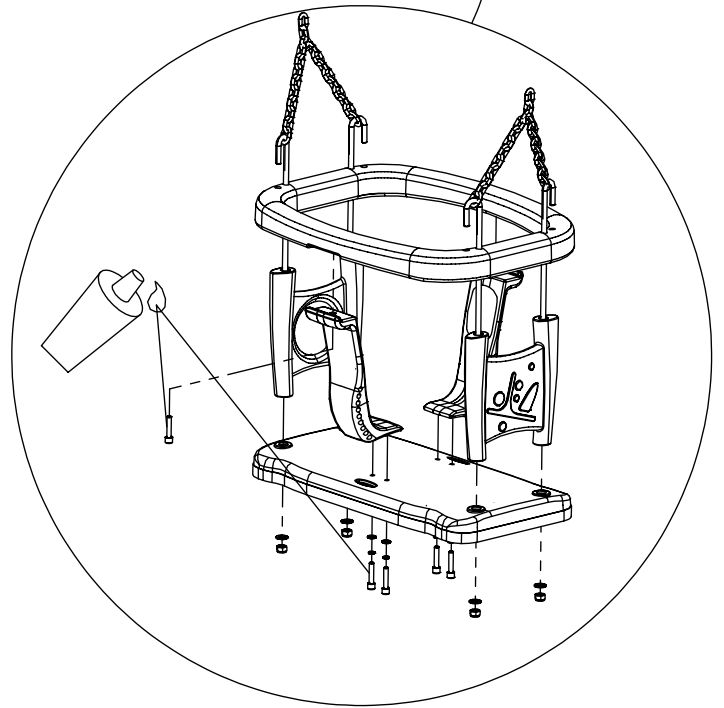


[cm]

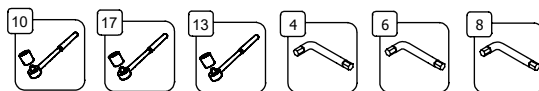
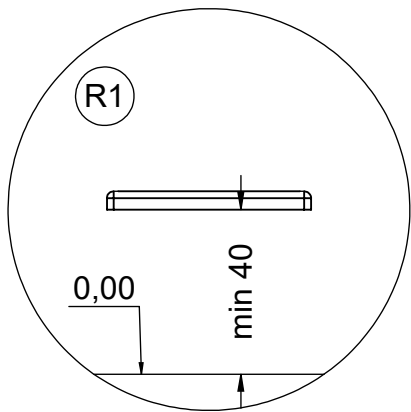
vinci
play



E164

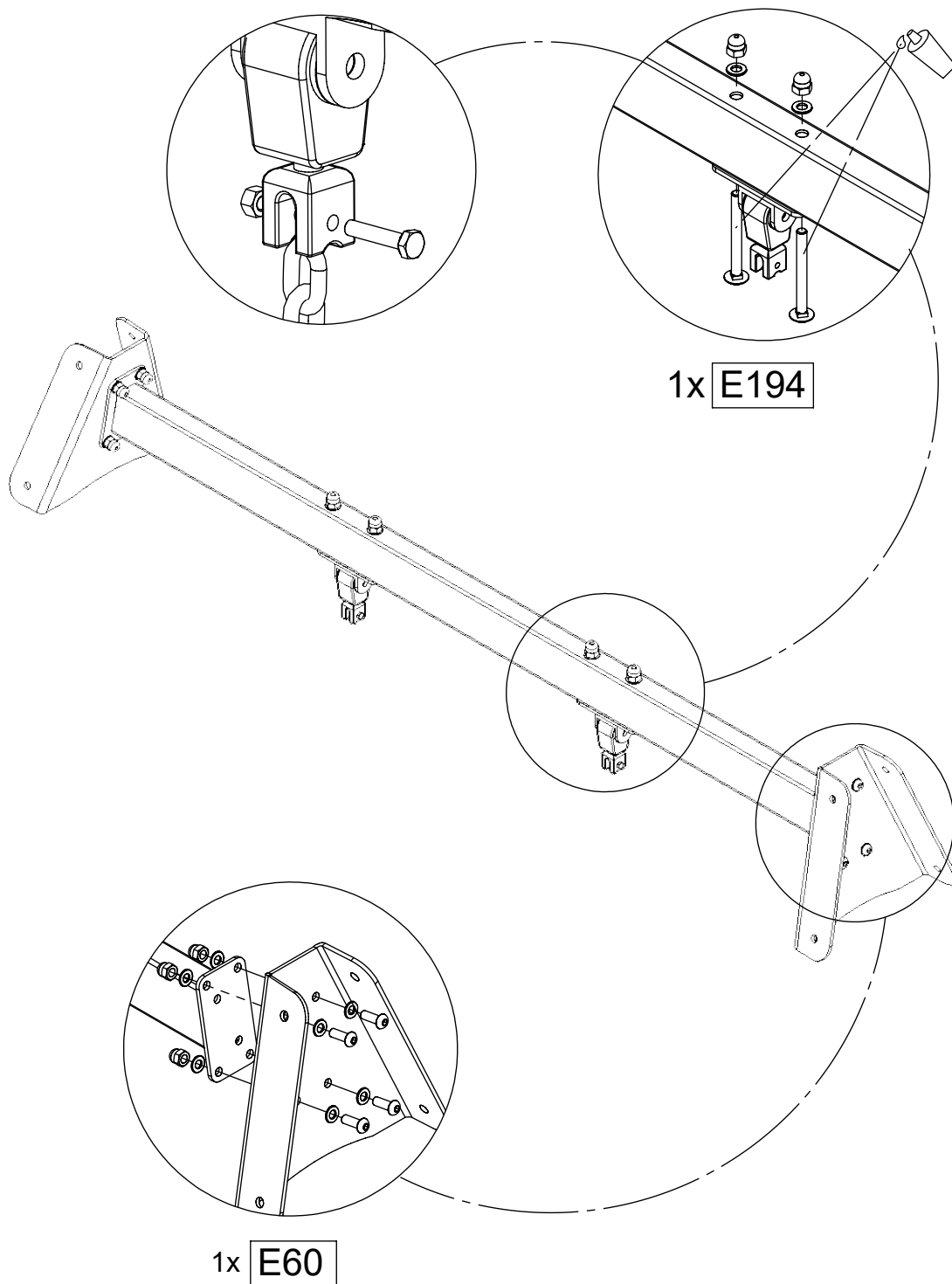


E165



[cm]

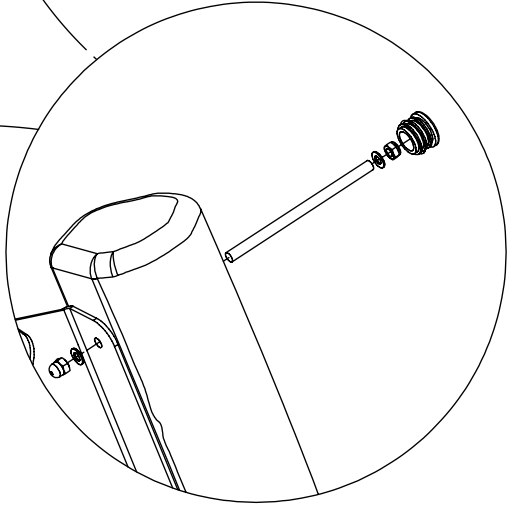
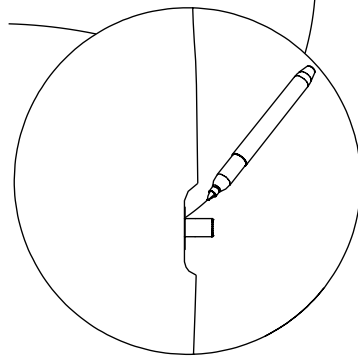
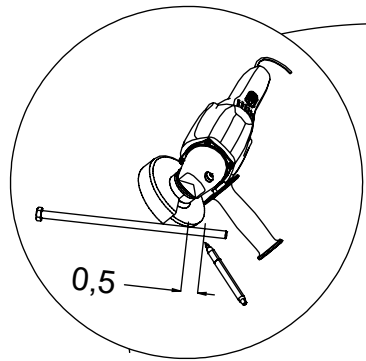
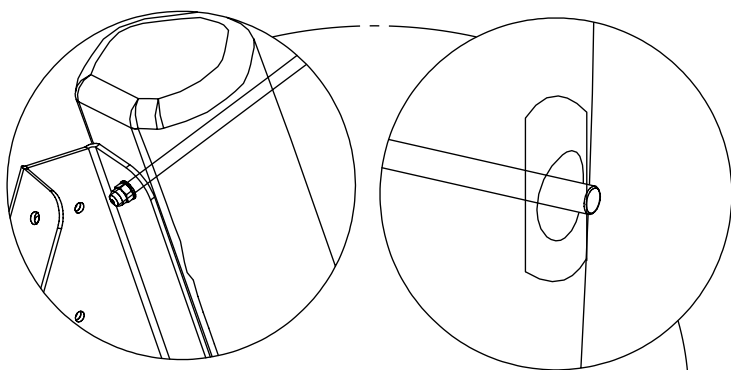
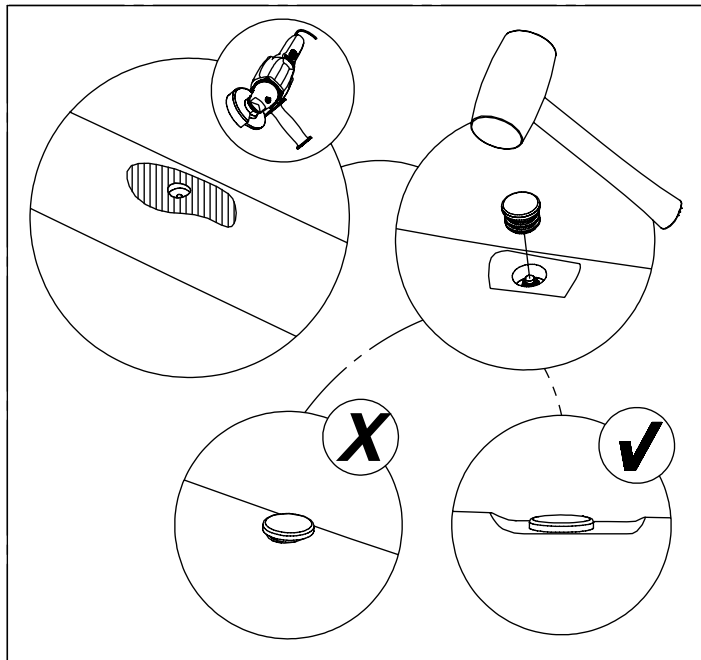
vinci
play



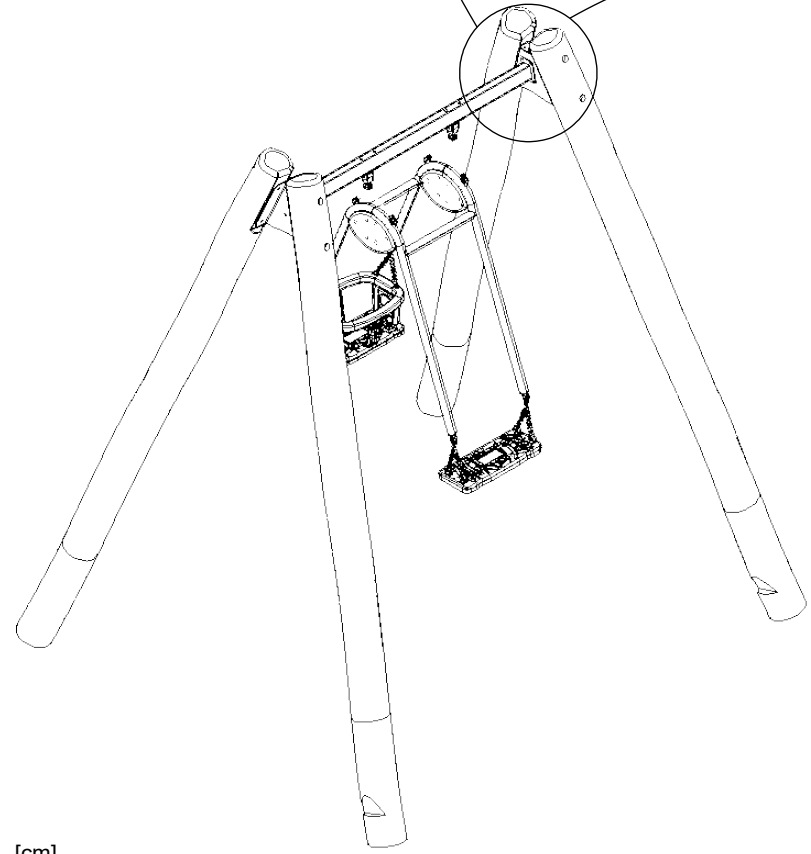
[cm]



vinci
play

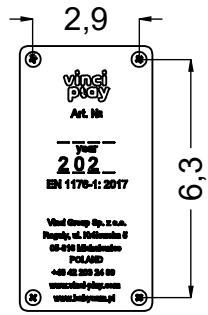
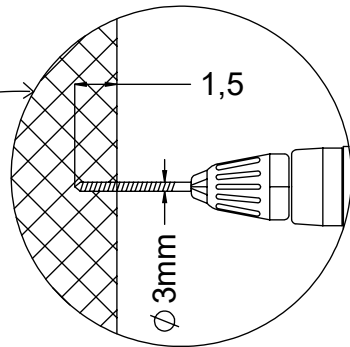
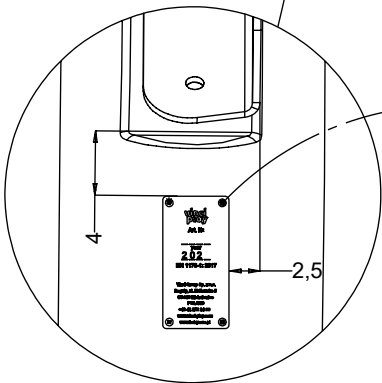
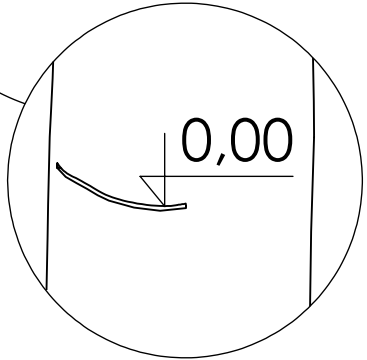
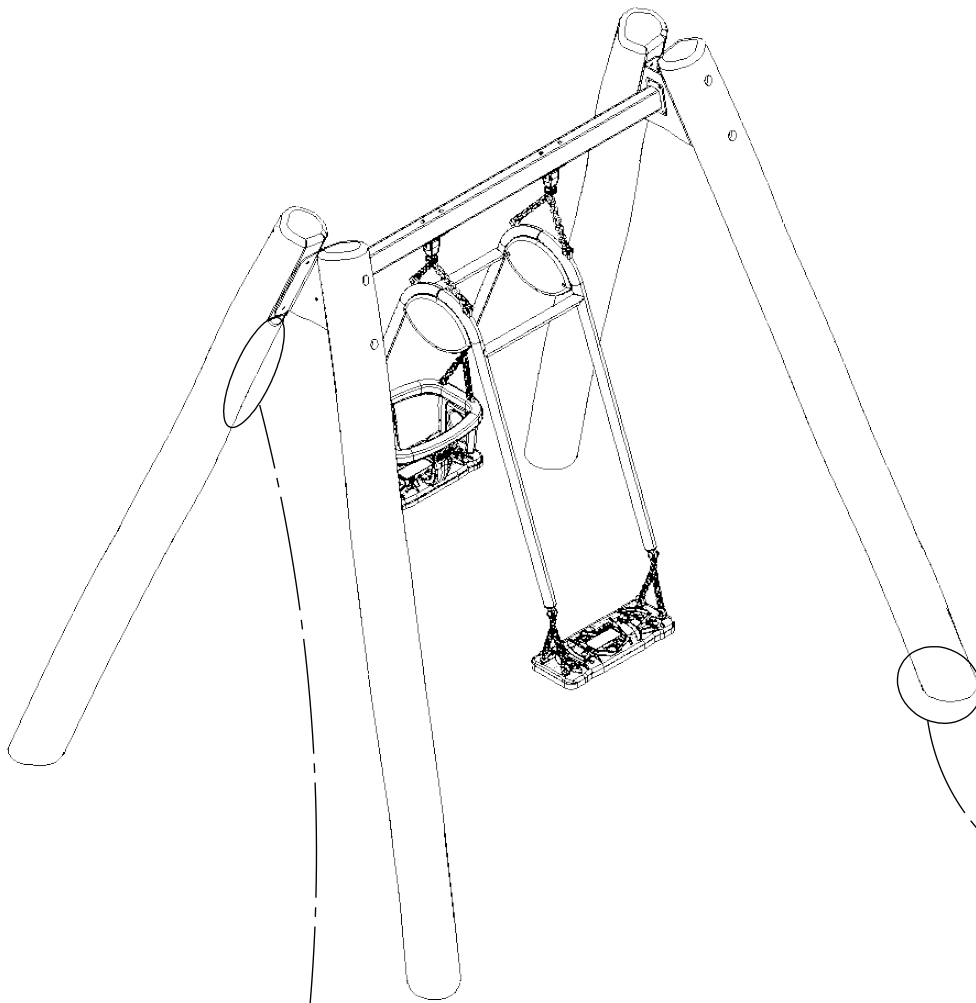


2x 12e017

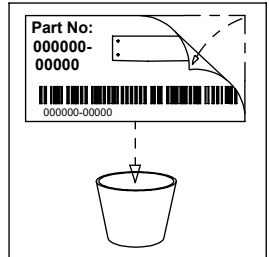


[cm]

vinci
play



V001



[cm]

vinci play